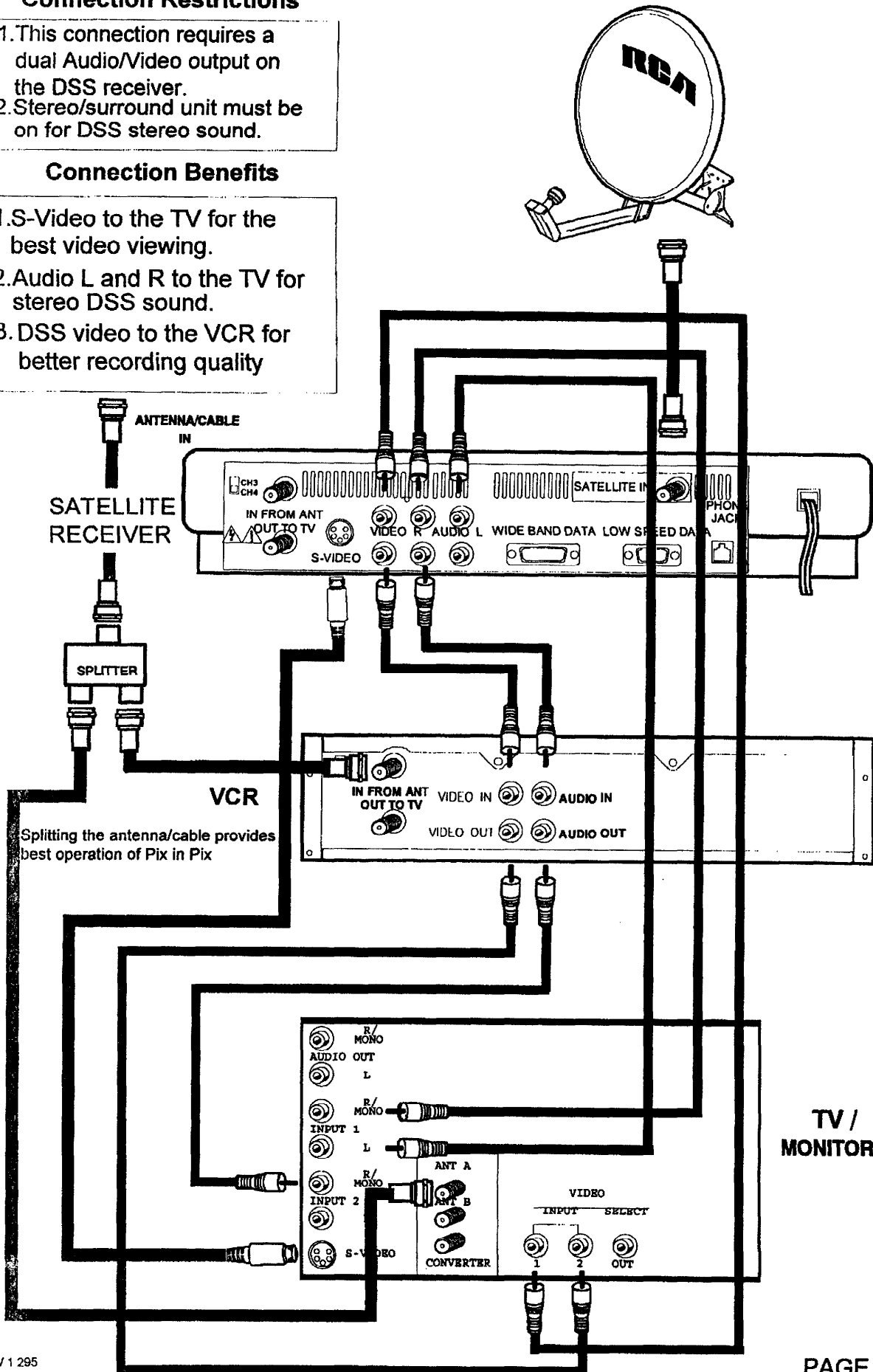


Connection Restrictions

1. This connection requires a dual Audio/Video output on the DSS receiver.
2. Stereo/surround unit must be on for DSS stereo sound.

Connection Benefits

1. S-Video to the TV for the best video viewing.
2. Audio L and R to the TV for stereo DSS sound.
3. DSS video to the VCR for better recording quality



Splitting the antenna/cable provides best operation of Pix in Pix